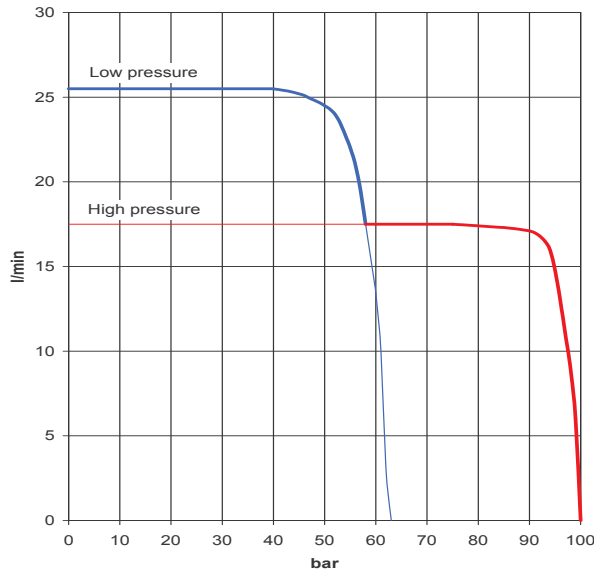
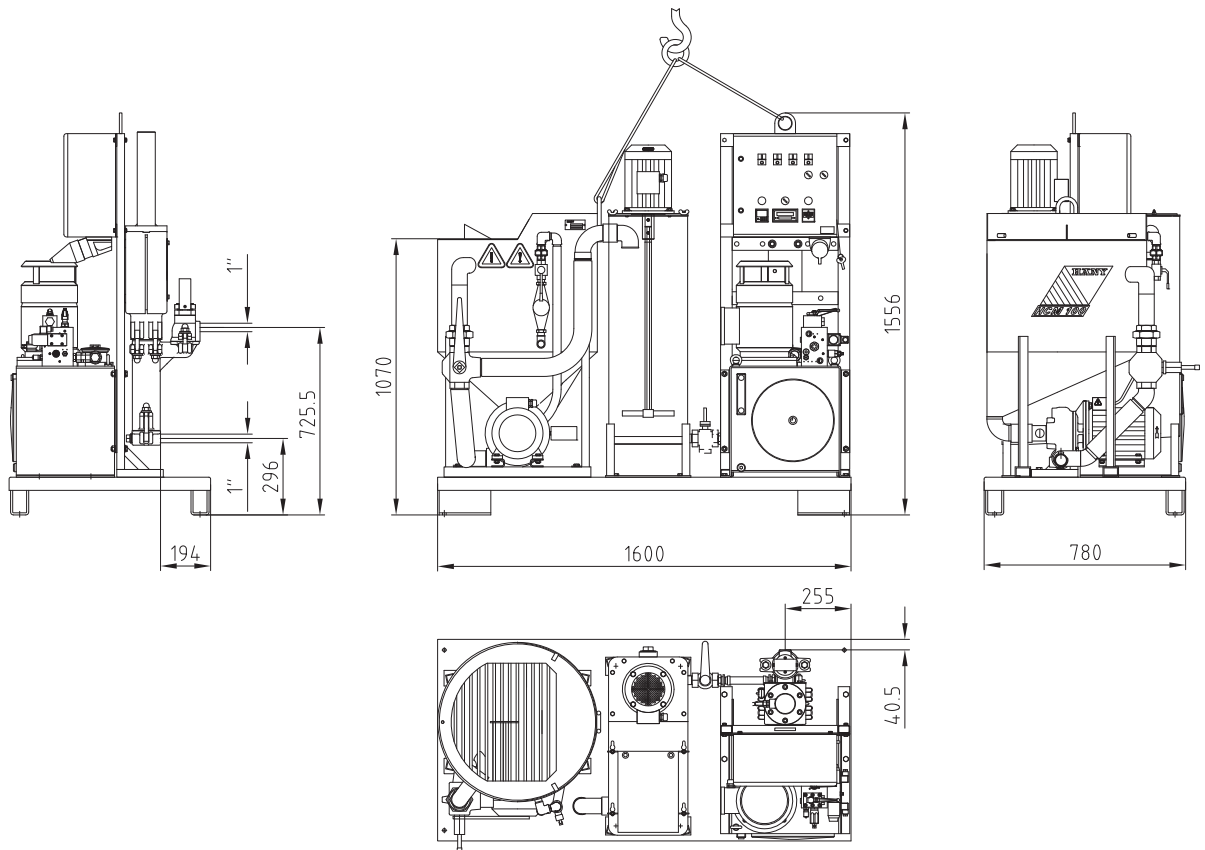


# Data sheet

## INJECTO-COMPACT (IC) 310



Capacity, max. (W/C = 1)	m <sup>3</sup> /h	1.5
Pressure, max.	bar	100
Pressure, min.	bar	3
Particle size, max.	mm	5
Water connection	BSP	3/4"
Usable content HCM	l	100
Circulation capacity	l/min	540
Usable content HRW	l	150
Power consumption	50 Hz kW	9.1
	60 Hz kW	10.5
Weight	kg	625
Cooling water connection	BSP	3/8"
Cooling water consumption	l/min	2 - 3
Discharge	BSP	1"



**GROUTING SYSTEMS**

**HÄNY**



## **INJECTO-COMPACT (IC) 310 GROUTING UNIT,**

consisting of high-shear mixer HCM 100, agitator HRW 150, grout pump ZMP 610V.

The IC 310 is suitable to mix and inject all common grout and mortar mixtures up to 5 mm grain size. Due to the compact and functional arrangement of the individual components, the equipment can easily be handled by only one operator. The base is designed in such a way that it can be hoisted at central lifting points or by a forklift from all sides. Simple operation, easy maintenance and cleaning, high quality and safety standards are some of the outstanding features of this unit.

### **HIGH-SHEAR MIXER HCM 100**

The mixer consists of a mixing tank and a high-speed mixing pump. The special mixing effect is achieved by an extremely high turbulence created in the pump casing. This turbulence with its high shear forces separates the cement or bentonite particles which results in a fully hydrated suspension. For the mixing of suspensions with low water/cement ratios or mortar, an additional mixing unit (option) can be installed in the mixing tank to guarantee efficient pre-wetting of the dry admixtures.

### **AGITATOR HRW 150**

The agitator HRW 150 is used as storage tank between the mixer and the grout pump for continuous operation. An agitator prevents the grout from settling out of suspension.

### **GROUT PUMP ZMP 610V**

The ZMP 610V is a vertical single acting plunger pump powered by a special hydraulic system. Due to the unique design of this system, the back or suction stroke is always carried out at high speed. Therefore the pressure drop resembles that of a double acting pump and is minimal. The advantage of the fast suction stroke is that the grout passes the suction valve of the pump at relatively high velocity. Thus, heavy particles which tend to settle on the suction valve during the working stroke will be flushed away and the valve is always kept clear. Mixes with low water/cement ratios and sand particles of up to 5 mm in size do not create any problems.

The ZMP 610V is equipped with precise pressure and flow control valves which allow stepless pre-setting of both maximum pressure and flow independently. Whenever the pre-set pressure is reached, the pump automatically stops and maintains that pressure without fluctuations to ensure complete filling of the grout hole. For continuous operation and warm climatic conditions the hydraulic power pack is provided with a water connection for the cooling of the hydraulic oil.

**GROUTING SYSTEMS**

**HÄNY**

